

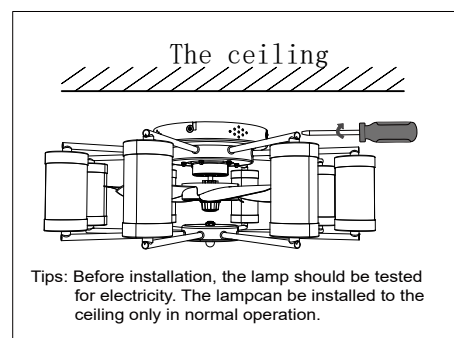
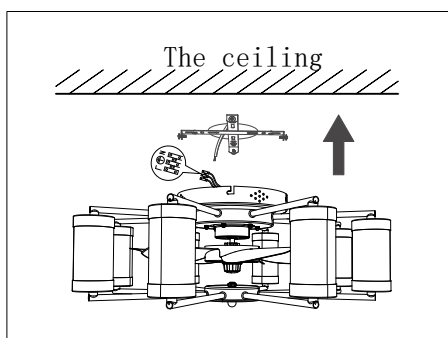
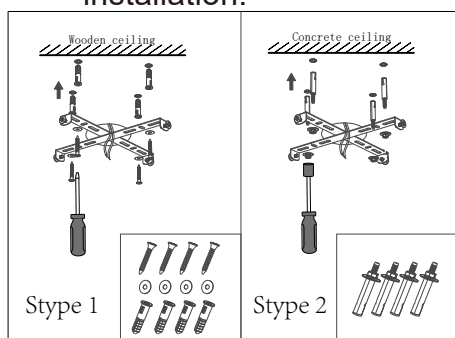
USER MANUAL

Attention

1. To avoid potential electric shock, the home main power supply must be shut off before installation.
2. Please pay attention to check whether the wires were in good condition before installation.
3. All wiring must be carried out under national and specifications, please hire or consult a licensed electrician to ensure that the live, neutral, and ground wires are connected correctly.
4. Please don't refit this ceiling fan light fixture, which may damage it.
5. All screws must be checked and re-tightened if necessary before operating the ceiling fan light fixture.

Installation Steps

- Step 1. Loosen the screws which connected the hanging plate and light fixture, but don't take them off, then take the hanging plate from the ceiling fan light fixture.
- Step 2. Marking/locating the hole position on the ceiling by borrowing the hole position of the hanging plate.
- Step 3. If you have a wooden ceiling, use type 1 screws; if you have a concrete ceiling, use type 2 screws, then according to the size of the screws type, punch suitable size holes at the hole marks, then install the hanging plate.
- Step 4. Tighten the fan screw.
- Step 5. Connect wires: Connect the black live wire marked "L" on the receiver to the live wire (typically black) on the socket box. Connect the white neutral wire marked "N" on the receiver to the neutral wire (typically white) on the socket box. Connect the ground wire (bare wire) from the base of the ceiling fan base with the ground wire (bare wire) of the socket box. **(Hang the lamp on the hanging plate with S-hook then connect wires. Take off the S-hook after connect wires and proceed to the next step.)**
- Step 6. Assemble the ceiling fan light fixture to the hanging plate, tighten the screws, and complete the installation.



Remote control

- ALL OFF Main switch
- ON OFF Light on/off
- Natural flow
- PAIR SETUP Pair key
- FAN OFF Fan off
- 1 2 3 4 5 6 Fan speeds
- ☆ Night light
- F/R Fan rotates forward/reverse
- 1H 2H Timing for 1/2 hour
- Light brightness control
- Color temperature control
- Battery type: AAA(not include)

Warm Tips:

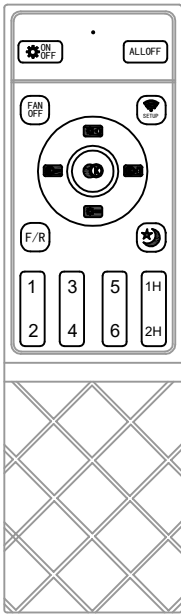
If your remote control does not control the fan and lights, please follow the steps below to undo the fault.

Step 1: Replace the battery of the the remote control.

Step 2: Try to program the remote control.

- > turn off the main switch that controls the ceiling fan light and turn it on again
- > press and hold the SETUP button of the remote control panel simultaneously within 5 seconds
- > if you hear a beeping sound, the code is matched successfully.





APP



- Remote control pair code: long press the "SET UP" key within 5 seconds after the lamp is just power-on, the buzzer rings 1 sound drop, indicating the success of the pair code.
- TUM OFF THE LIGHTS AND TURN ON THE LIGHTS**
- Remote control
 - WiFi
 - ALLOFF** General
 - night lamp
 - Three speed color temperature adjustment
 - Fan stop
 - Long press or click on this key to increase the brightness. It makes a ticking sound at the brightest time.
 - Long or click the key to turn dark. It makes a ticking noise in the darkest hour
 - Long press this key to increase the color temperature
 - Long press this key, the color temperature drops
 - The aft turns/reverses
 - Countdown > 1 drop > 1 hour
 - Countdown > 2 drop > 2 hour
 - 1, 2, 3, 4, 5, 6 Fan gear 1 gear minimum wind 6 gear is the maximum wind

